

JIANGSU WUJIN KAILI ELECTRONIC FACTORY

SPECIFICATION SHEET

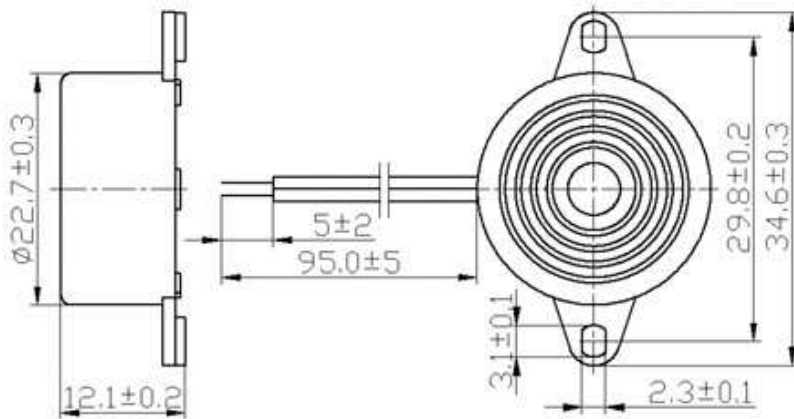
ELECTRONIC SPECIFICATION:



YY2312X SERIES:

Type	UNIT	YY2312AX	YY2312BX
*Min. Sound Output at 10cm	dB	85	90
Rated Voltage	VDC	12	12
Operating Voltage	VDC	3~20	3~20
Resonant Frequency	Hz	3500±500	4500±500
*Max. Current Consumption	mA	8	8
Tone Nature		Continuous	
Operating Temperature	℃	-20 ~ +70	
Storage Temperature	℃	-30 ~ +80	
Weight	g	8	

* Value applying at rated voltage



JIANGSU WUJIN KAILI ELECTRONIC FACTORY

Miaoqiao Town, Changzhou city, Jiangsu, China 213167

TEL: 0086-519-6462433; 6712320

FAX: 0086-519-6471336; 6712320

E-mail: kailiec@jmail.com.cn

<http://www.kaili-buzzer.com/>