

JIANGSU WUJIN KAILI ELECTRONIC FACTORY

SPECIFICATION SHEET

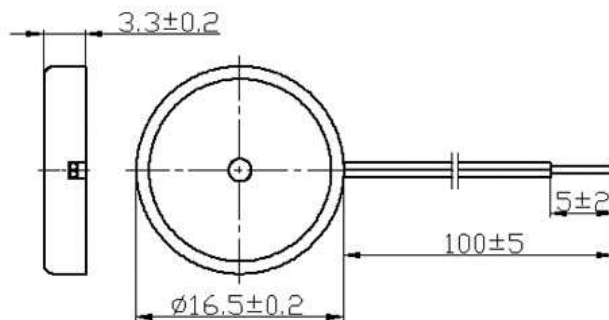
ELECTRONIC SPECIFICATION:



YY1740A SERIES:

| Type | UNIT | YY1740A |
|----------------------------|------|-----------|
| *Min. Sound Output at 10cm | dB | 80 |
| Rated Voltage | Vp-p | 9 |
| Operating Voltage | Vp-p | 1~25 |
| Resonant Frequency | Hz | 4000±500 |
| *Max. Current Consumption | mA | 2 |
| Capacitance at 1,000HZ | pF | 24000±30% |
| Operating Temperature | ℃ | -20 ~ +60 |
| Storage Temperature | ℃ | -30 ~ +70 |
| Weight | g | 0.9 |

* Value applying at rated voltage



JIANGSU WUJIN KAILI ELECTRONIC FACTORY

Miaoqiao Town, Changzhou city, Jiangsu, China 213167

TEL:0086-519-6462433; 6712320

FAX:0086-519-6471336; 6712320

E-mail: kailiec@jmail.com.cn

<http://www.kaili-buzzer.com/>