

JIANGSU WUJIN KAILI ELECTRONIC FACTORY

SPECIFICATION SHEET

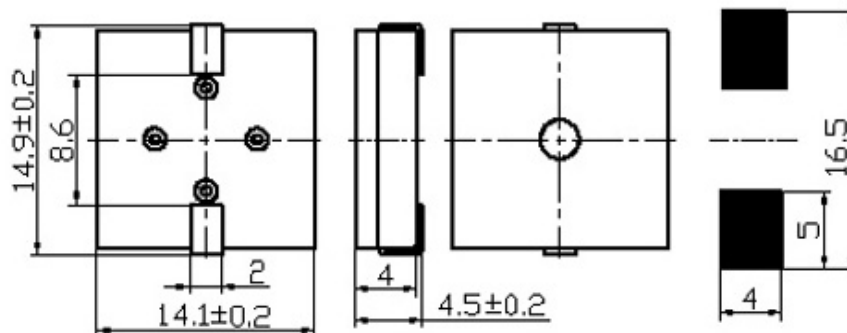
ELECTRONIC SPECIFICATION:



HCT14C SERIES:

Type	UNIT	HCT14C05
*Min. Sound Output at 10cm	dB	75
Rated Voltage	Vp-p	5
Operating Voltage	Vp-p	1~20
Resonant Frequency	Hz	4000±500
.Rated Consumption	mA	2.0
Capacitance at 120 HZ	pF	12000±30%
Operating Temperature	℃	-20 ~ +70
Storage Temperature	℃	-30 ~ +80
Weight	g	1.5

Value applying rated voltage (4000 Hz, 1/2 duty, square wave)



JIANGSU WUJIN KAILI ELECTRONIC FACTORY

Miaoqiao Town, Changzhou city, Jiangsu, China 213167

TEL:0086-519-6462433; 6712320

FAX:0086-519-6471336; 6712320

E-mail: kailiec@jmail.com.cn

<http://www.kaili-buzzer.com/>